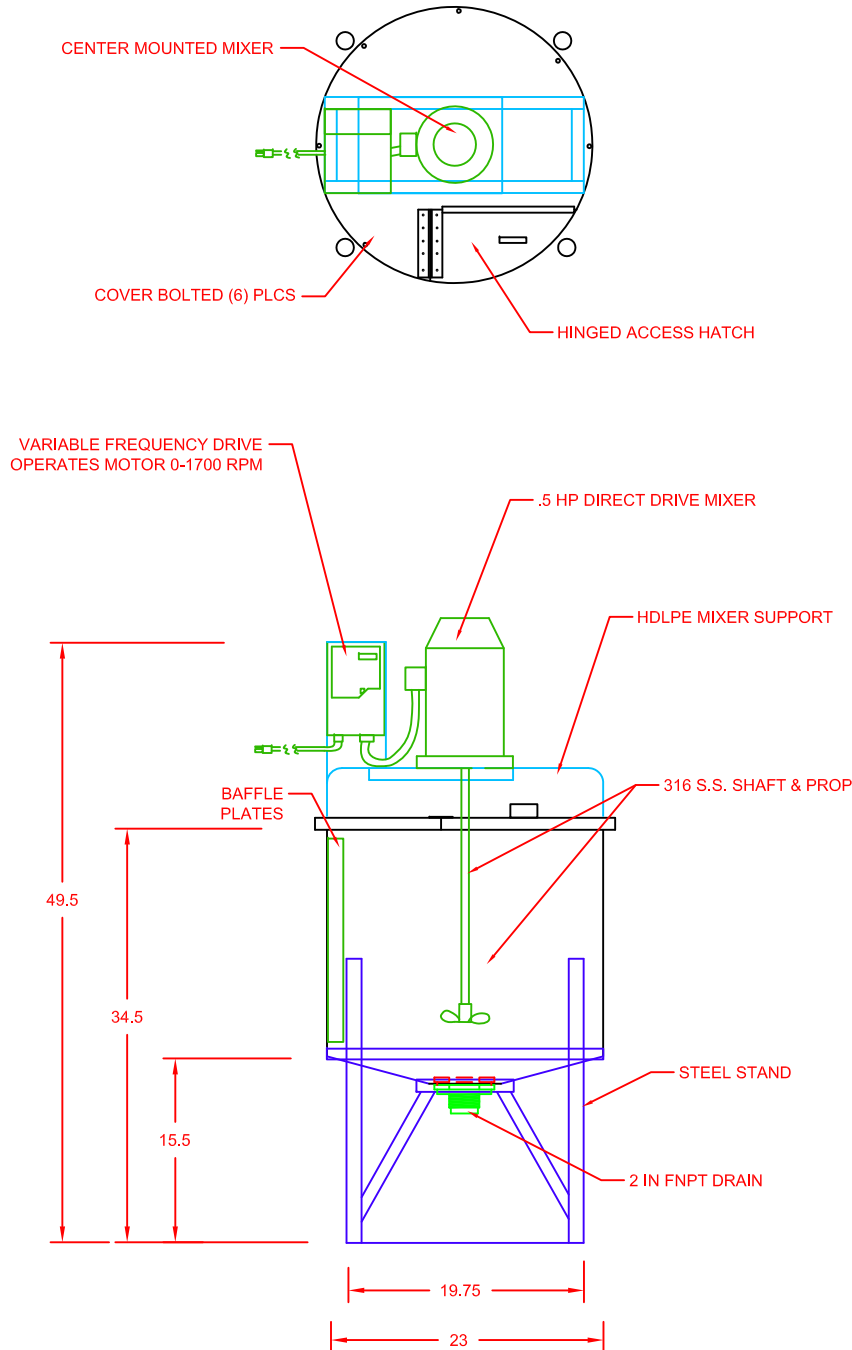



DESIGN DATA	
ITEM	DESCRIPTION
VISCOSITY	300 CPS MAX
SPECIFIC GRAVITY	1.7 MAX
WETTED MATERIAL	HDLPE, 316 S.S., EPDM, POLYPROPYLENE
INPUT POWER REQUIREMENT	115 V (99-126), 50-60 Hz, 1PH
DRAIN SIZE	2" FNPT THREAD



**GENERAL NOTES:**

1. READ ALL PRODUCT INFORMATION BEFORE USE.
2. NEVER REMOVE ELECTRICAL COVERS OR OPERATE MIXER WHILE ELECTRICAL COVERS ARE REMOVED.
3. DO NOT OPERATE MIXER WHILE HINGED ACCESS IS OPEN.
4. ALL ELECTRICAL CONNECTION ARE TO BE INSTALLED BY A LICENSED PROFESSIONAL ELECTRICIAN.
5. LOCKOUT / TAGOUT ANY DAMAGED EQUIPMENT BEFORE REPAIRING.
6. MATERIALS: TANK TO BE ONE PIECE MOLDED OF HIGH DENSITY POLYETHYLENE (COLOR: NATURAL), STAND TO BE POWDER COATED MILD STEEL (COLOR: BLACK), MIXER WETTED PARTS TO BE 316L S.S., DRAIN FITTING TO BE PP/EPDM. DESIGNED FOR CONTENTS TO 1.7 S.G. @ 73° F @ 300 CPS MAX. PER ASTM D1998-06 FOR TYPE II TANKS USING A 600 PSI HOOP STRESS. TANKS ARE MOLDED FROM RESIN THAT IS FDA COMPLIANT AND CONFORMS TO NSF/ANSI STANDARD 61.
7. CONTENTS: BY CUSTOMER
8. OPERATING TEMP: 73° F DESIGN
9. ALL HDLPE WELDS TO BE HAND WELDED W/ NITROGEN GAS
10. ORIENT ALL FITTINGS FROM PLAN VIEW
11. TANK AND STAND REQUIRE 100% BOTTOM SUPPORT
12. ALL PIPING & VALVES MUST HAVE IT'S OWN SUPPORT AND ALLOW FOR TANK EXPANSION & CONTRACTION OF 1.5% DIMENSIONAL MOVEMENT. FLEX CONNECTIONS SHOULD BE DESIGNED FOR A .5° ANGULAR MOVEMENT.
13. TANK IS TO BE LOCATED INDOORS
14. TANK IS DESIGNED FOR ATMOSPHERIC PRESSURE ONLY
15. DO NOT OVER TIGHTEN PLASTIC FITTINGS AS THEY MAY BECOME DAMAGED AND UNUSABLE.
16. CHECK ALL CHEMICAL AND TEMPERATURE COMPATIBILITY WITH CONSTRUCTION MATERIAL PRIOR TO TANK USE. PROTECTOPLAS DOES NOT WARRANT CHEMICAL ATTACK OR MISUSE OF PRODUCT.
17. ALL DIM. ARE IN INCHES/DEGREES UNLESS OTHERWISE NOTED.
18. MIXER IS DESIGNED TO BLEND 30 U.S.G @ 300 CPS MAX. DO NOT OVERLOAD. ALL WETTED PARTS TO BE 316 S.S.

THIS DRAWING, THE NAME "PROTECTOPLAS", AND ALL LOGOS ARE PROPERTY OF EBCO INC. THEY MAY NOT BE ALTERED, COPIED, OR USED IN ANY WAY WITHOUT WRITTEN PERMISSION FROM EBCO INC.

REV. NO.	REV. BY	REV. NOTE
CUSTOMER		
TITLE	MT-30 MIXING TANK	
 <b>PROTECTOPLAS COMPANY</b> DIVISION OF EBCO, INC. STREETSBORO, OHIO 44241 USA		
SCALE: NTS	BY: ZE	DATE: 1/2/2014   DRW NO. MT0030